

# Central Control Unit (CCU) For Remote Electrical Tilt (RET) and Tower Mounted Amplifier (TMA) Control

For indoor use



## Central Control Unit

Type No.	<b>86010006</b>
Connectors <sup>1)</sup> to RCU	3 x 8 pin connector acc. to IEC 60130-9, female, acc. to AISG
Power supply from BTS	DC: -48 V / max. 1.7 A AC: 100 ... 240 V / 50 ... 60 Hz / max. 1.6 A
Power supply to RCU	3 x +29 V DC / max. 1.7 A (in total) 3 x +13 V DC / max. 3.8 A (in total)
Total output power	Max. 50 W
Interface to RCU and TMA	RS 485 / power supply
Protocol to RCU and TMA	HDLC hex-coded command set, acc. to AISG
Interface to BTS	Ethernet (10 Base-T) and RS 232
Protocols to BTS	TCP/IP, PPP, HTTP/HTML, UDP, DHCP, FTP, SNMP, ICMP/PING
Alarm interface to BTS	8 x open collector output, user programmable
Max. number of RCU's and/or TMA's	Up to 27 RCU's in daisy chain and up to 6 DTMA's; depending on cable configuration and max. power
Max. length of control cable	200 m (9 RCU's in daisy chain configuration)
Temperature range	-25 °C ... +55 °C ambient temperature
Packing size	597 mm x 367 mm x 148 mm
Dimensions (h / w / d)	19" 1 HU* (43.6 mm / 483 mm / 250 mm)

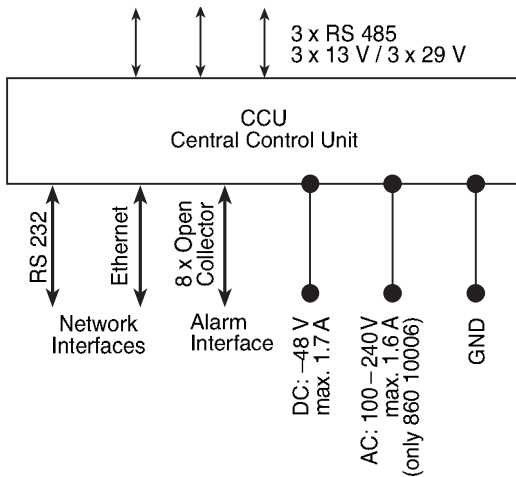
\* HU = Height Unit

<sup>1)</sup> The tightening torque for fixing the connector must be 0.5 – 1.0 Nm ('hand tightened').  
The connector should be tightened by hand only.

- Standards: EN 60950-1  
EN 55022  
EN 55024  
UL 60950-1, 1<sup>st</sup> edition
- Certifications: CE, FCC part 15 class B; UL
- Scope of supply: CCU  
RET Manual  
DC Cable  
AC Power Cords for USA, UK and Germany  
Ethernet cable, crossed



## CCU Interfaces



## Examples of CCU – RCU connections

