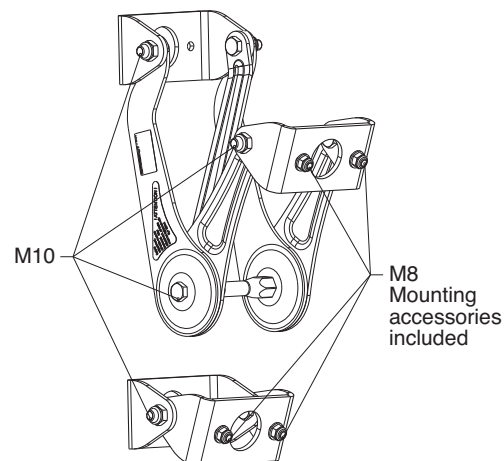


Standard Downtilt kit for Panel Antennas (Wind load Category “H”)

Special downtilt kit for Panel antennas with a higher wind load.

Downtilt kit

Type No.	85010008
Preferred range of use	– Panel antennas with a higher wind load – Panel antennas with attached mounting plates – Downtilt kit without scale for universal use
Weight	4.3 kg
Material	Hot-dip galvanized steel
Screws	Hot-dip galvanized steel / stainless steel
Nuts	Stainless steel

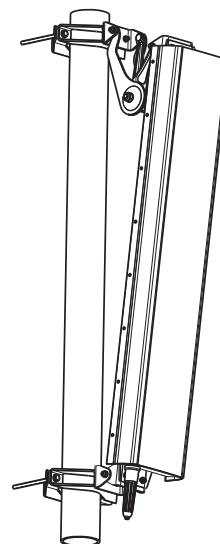


Recommended mast clamps:

Type No.	Description	Mast diameter	Weight approx.	Units per antenna
738546	1 clamp	42 – 115 mm	1.1 kg	2
85010002	1 clamp	110 – 220 mm	2.9 kg	2
85010003	1 clamp	210 – 380 mm	4.8 kg	2

Recommended torque for all bolted connections:

Screw size	Torque
M8	20 Nm
M10	50 Nm



Maximum acceptable load:

Frontal wind load	< 5000 N
Lateral wind load	< 1300 N

